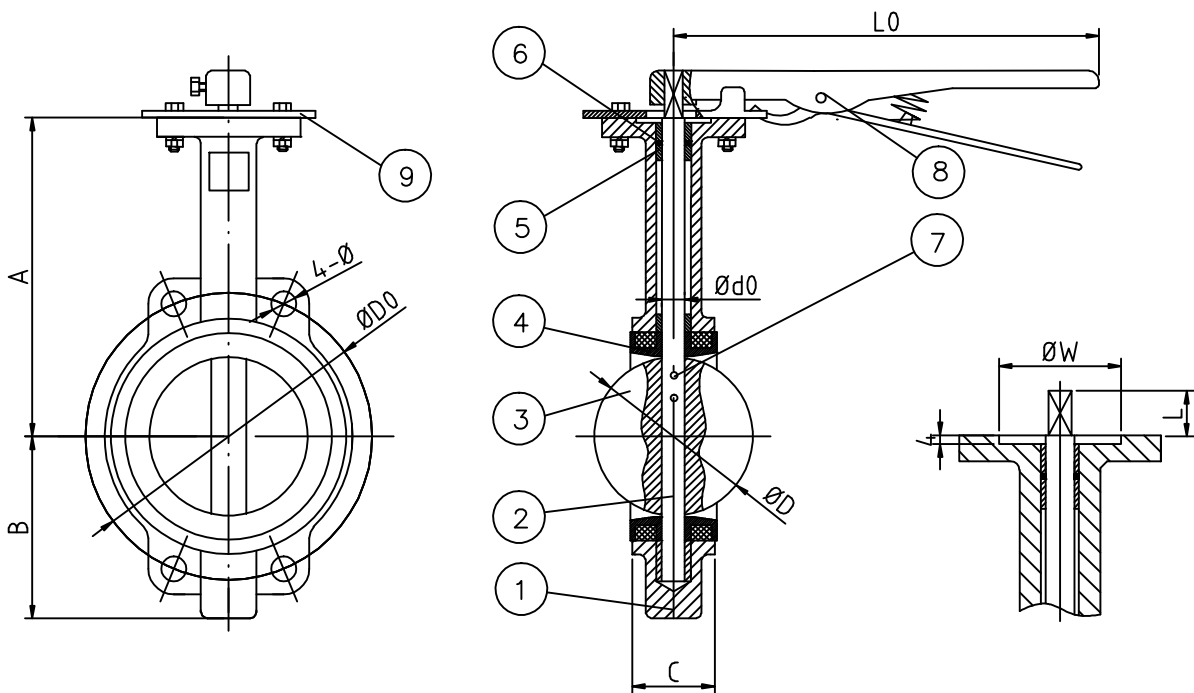


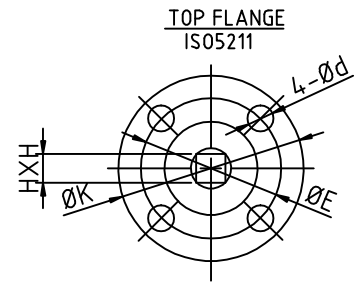


With Pin Wafer Butterfly Valve (DN50-300)



Material list

9	INDICATOR	CARBON STEEL
8	LEVER	Cast iron/Malleable Iron/Ductile Iron
7	PIN	STAINLESS STEEL
6	O-RING	EPDM/Buna/Hypalon/Viton/Neoprene
5	BUSHING	P.T.F.E./Lubricating
4	SEAT	EPDM/PTFE/Buna/Hypalon/Viton/Neoprene
3	DISC	Al-Bronze/CF8M/WCB/Ductile iron
2	STEM	Cr13/SS416/SS316/Carbon steel
1	BODY	Cast iron/Ductile iron/Stainless steel/Carbon steel
NO.	PARTS NAME	MATERIAL



Outline Dimensions & Connection Dimensions(mm) & Weight(KG)

2"	161	80	42	52.9	230	12.6	F07	25	90	70	4-9	55.25	11X11	125	4-18	90	3.1
2.5"	175	89	45.8	64.5	230	12.6	F07	25	90	70	4-9	55.25	11X11	145	4-18	90	3.4
3"	181	95	45.8	78.8	230	12.6	F07	25	90	70	4-9	55.25	11X11	160	4-18	45	3.8
4"	200	114	52	104	266	15.77	F07	30	90	70	4-9	55.25	11X11	180	4-18	45	5.2
5"	213	127	55	123.3	266	18.92	F07	30	90	70	4-9	55.25	11X11	210	4-18	45	7.0
6"	226	139	55.8	155.1	266	18.92	F07	30	90	70	4-9	55.25	14X14	240	4-22	45	8.7
8"	260	175	61.6	202.5	355	22.1	F10	40	125	102	4-12	55.25	14X14	295	4-22	30	14.5
10"	292	203	67.2	250.5	505	28.45	F10	40	125	102	4-12	70.25	17X17	355	4-26	30	21.1
12"	337	242	76.9	301.6	505	31.6	F10	40	140	102	4-12	70.25	22X22	410	4-26	30	31.0
SIZE	A	B	C	D	L0	d0	ISO5211	L	K	E	4-Ød	W	HXH	D1/PN16	4-Ø	°	Weight